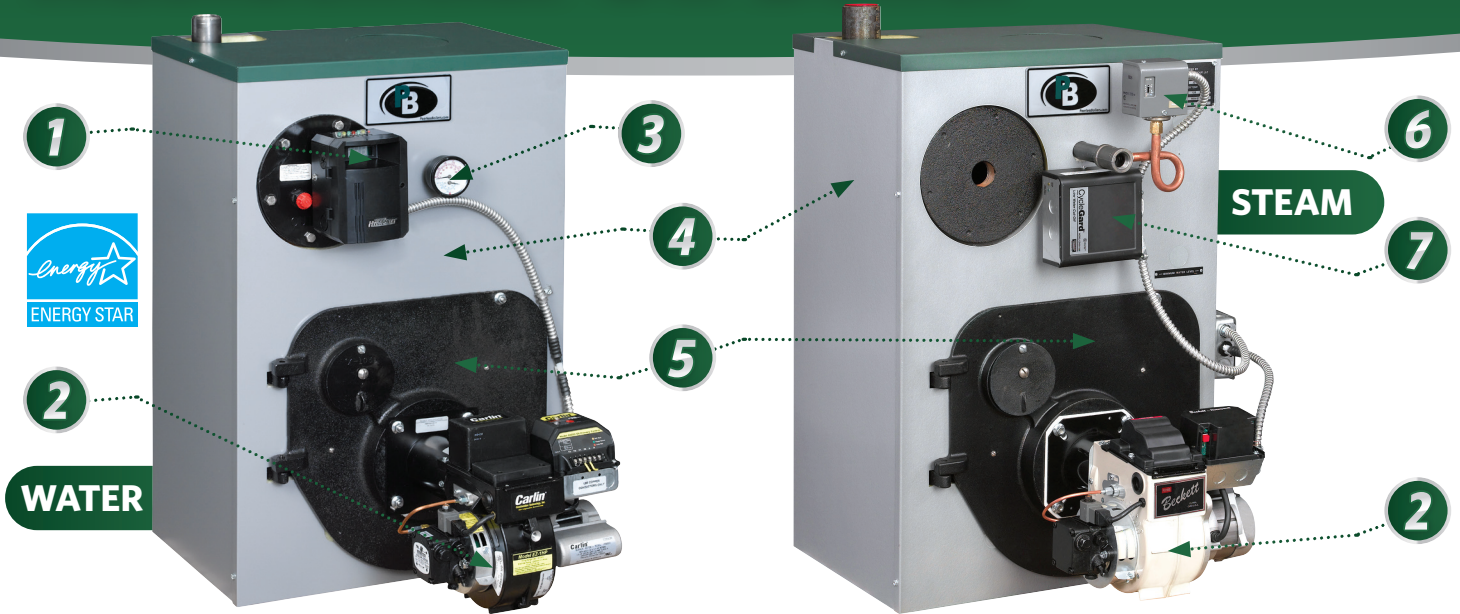




# Series WBV® Residential Oil Boiler



## Series WBV® Boiler Features

- ✓ **Up to 87.5% AFUE**  
**ENERGY STAR® Certified\*** \*certain firing rates
- ✓ **All Models - DOE 2021 Compliant!**
- ✓ **Natural Draft (Chimney) Venting**
- ✓ **High Efficiency, Flame Retention Burners**  
Choice of Beckett, Carlin or Riello ②
- ✓ **Cast Iron Sections** - Factory Tested and Assembled with Steel Push Nipples
- ✓ **Wet Base Section Design**  
Ideal for Steam and Hot Water Applications
- ✓ **Rear or Top Flue Convertibility** (certain models)
- ✓ **Insulated, Deluxe Powder Coated Steel Jacket**  
Reduces Boiler Heat Loss ④
- ✓ **Full Plate Swing-Out Door**  
For Quick and Easy Cleaning ⑤
- ✓ **Built-in Air Elimination Baffle**

## Standard Equipment

- ALL**
- ✓ Drain Valve
  - ✓ Top Cleanout

- WATER**
- ✓ Boiler Reset Control w/ Low Water Cut-off (HydroStat 3250) for Increased Efficiency and Safety ①
  - ✓ Taco Circulator
  - ✓ Temperature-Pressure Gauge ③

- STEAM**
- ✓ Probe Type LWCO ⑦
  - ✓ Skim Tapping
  - ✓ Pressure Control ⑥
  - ✓ Pressure Gauge

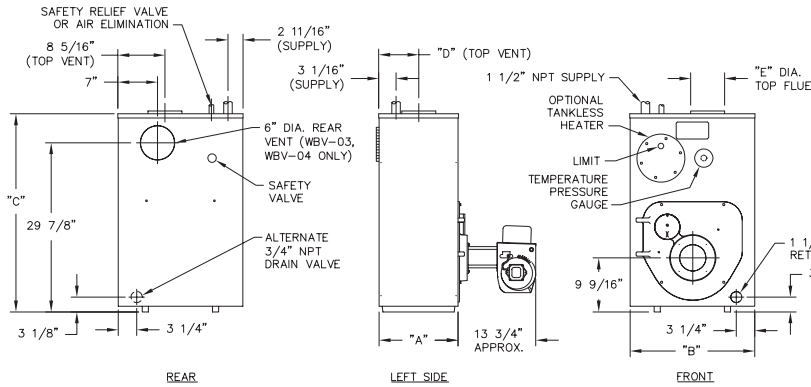
PeerlessBoilers.com

**LIFETIME WARRANTY**

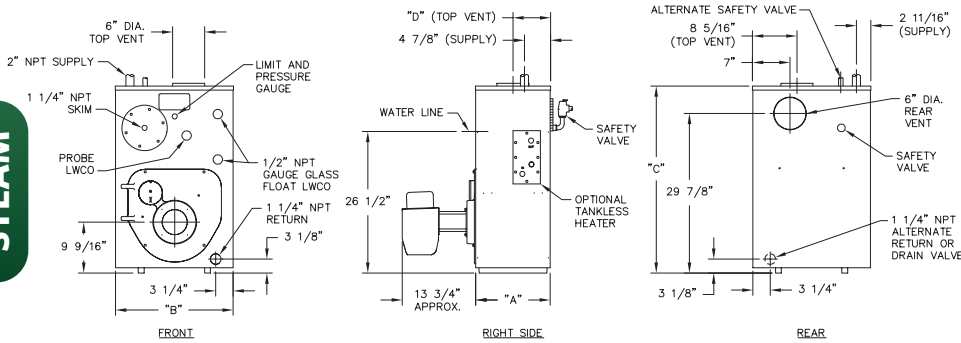
All residential cast iron boilers include a full one-year warranty. A limited, lifetime warranty is provided for the cast iron sections of Peerless® residential hot water boilers. A limited, ten-year warranty is provided on the cast iron sections of residential steam boilers. Visit PeerlessBoilers.com for complete details.

# Technical Information

**WATER**



**STEAM**



## BOILER DIMENSIONS

Boiler Model Number	Jacket Depth "A"	Jacket Width "B"	Jacket Height "C"	Rear of Jacket to c/l of Vent "D"	Vent Size Diameter "E"
<b>WATER</b>					
WBV-e-03-060/085/105	14-1/8"	22-1/8"	35"	7-1/16"	6"
WBV-e-04-095/125/150	18-1/8"	22-1/8"	35"	9-1/16"	6"
WBV-e-05-175/195	22-1/8"	22-1/8"	35"	11-1/16"	7"
<b>STEAM</b>					
WBV-e-03-085/105	15-3/4"	22-1/8"	35"	8-7/8"	—
WBV-e-04-125/150	19-3/4"	22-1/8"	35"	10-7/8"	—



## SERIES WBV® BOILER RATINGS - WATER



Boiler Model Number	Input		Heating Capacity <sup>3</sup> MBH		Net Ratings <sup>2</sup>		AFUE <sup>3</sup> , %
	GPH <sup>1</sup>	MBH	Water	Water	Water, MBH	Water	
WBV-e-03-060-W	0.60 <sup>†</sup>	84	75	75	65	87.5*	11.75
WBV-e-03-085-W	0.85	119	105	105	91	87.1*	11.75
WBV-e-03-105-W	1.05	147	127	127	110	86.0	11.75
WBV-e-04-095-W	0.95 <sup>†</sup>	133	117	117	102	87.0*	14.75
WBV-e-04-125-W	1.25	175	154	154	134	87.1*	14.75
WBV-e-04-150-W	1.50	210	183	183	159	86.1	14.75
WBV-e-05-175-W <sup>‡</sup>	1.75	245	214	214	186	86.6	17.75
WBV-e-05-195-W <sup>‡</sup>	1.95	273	237	237	206	86.1	17.75

Water Content	Minimum Stack Draft Required, in. W.C.
11.75	-0.03
11.75	-0.04
11.75	-0.05
14.75	-0.03
14.75	-0.04
14.75	-0.05
17.75	-0.05
17.75	-0.06

\* As an ENERGY STAR® Partner, PB Heat, LLC has determined that these firing rates meet the ENERGY STAR guidelines for energy efficiency.  
<sup>†</sup> Top venting only.  
<sup>‡</sup> Nozzles for these firing rates not provided as standard equipment. Consult Factory for price and availability.  
<sup>3</sup> This firing rate can only be achieved with a Riello F-3 burner. See Installation, Operation and Maintenance Manual.

1 Burner input based on No. 2 fuel oil with a heating value of 140,000 Btu per gallon.  
 2 Net water ratings based on an allowance of 1.15. Consult Factory before selecting a boiler for installations having unusual piping and pickup requirements, such as intermittent system operation, extensive piping systems, etc.  
 3 Heating Capacity and Annual Fuel Utilization Efficiency (AFUE) ratings are based on U.S. Government tests. Chimney Size: 8" x 8" x 15 ft.

## SERIES WBV® BOILER RATINGS - STEAM



Boiler Model Number	Input		Heating Capacity <sup>3</sup> MBH		Net Ratings <sup>2</sup>		AFUE <sup>3</sup> , %
	GPH <sup>1</sup>	MBH	Steam	Steam	Steam Sq. Ft.	Steam, MBH	
WBV-e-03-085-S	0.85	119	104	104	325	78	85.6
WBV-e-03-105-S	1.05	147	127	127	396	95	85.0
WBV-e-04-125-S	1.25	175	152	152	475	114	85.6
WBV-e-04-150-S	1.50	210	180	180	563	135	85.0

Water Content	Minimum Stack Draft Required, in. W.C.
12.00	-0.04
12.00	-0.05
14.87	-0.04
14.87	-0.05

1 Burner input based on No. 2 fuel oil with a heating value of 140,000 Btu per gallon.  
 2 Net steam ratings based on an allowance of 1.333. Consult Factory before selecting a boiler for installations having unusual piping and pickup requirements, such as intermittent system operation, extensive piping systems, etc.  
 3 Heating Capacity and Annual Fuel Utilization Efficiency (AFUE) ratings are based on U.S. Government tests. Chimney Size: 8" x 8" x 15 ft.



PeerlessBoilers.com

CUT-WBV R6 (1/21-5M)  
 Printed in U.S.A.  
 ©2021 PB Heat, LLC. All rights reserved.